

## DTL

The new  
synchronous linear motors

Designer`s dream!  
We bring dynamics to linear motion!



High thrust combined with

- Compact design
- Little moving mass
- High efficiency
- No attraction force

Robert-Bosch-Str. 3  
D-79585 Steinen  
Germany  
Tel. : +49 (0)7627-923 76-0  
Fax : +49 (0)7627-923 76-20  
info@bobolowski.com  
www.bobolowski.com

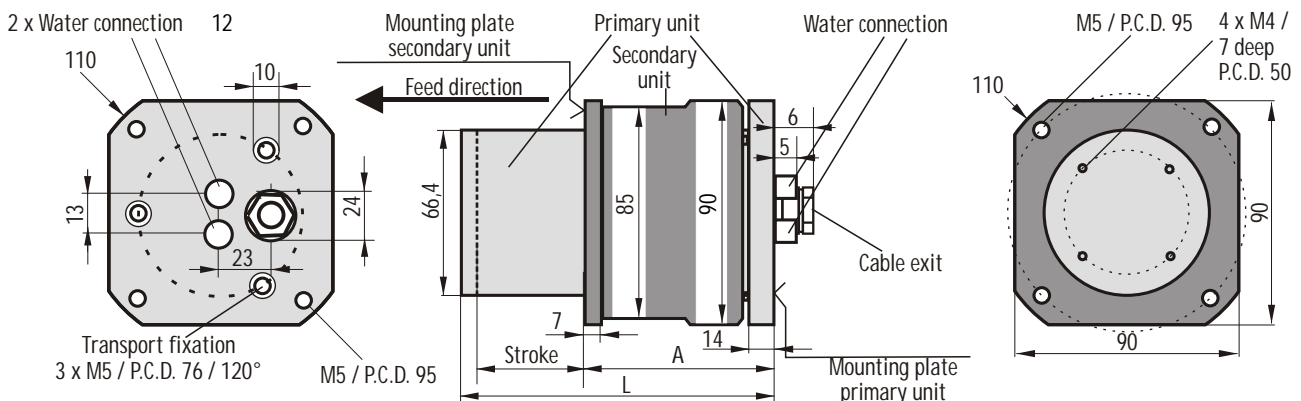
The new BOB-Motors  
make it possible



# DTL 85

Synchronous linear motors  
for standard servo-amplifiers  
with 3-phase windings  
bearingless design with water-cooling  
The motion drive from BOB  
for short strokes

Motor Type	Thrust			Stroke (mm)	Maximum permitted intermediate circuit voltage $U_{bc} = 700 \text{ V}$ ( $U_{eff} = 500 \text{ V}$ )	Mass		Dimensions	
	$F_0$ 20°C (N)	$F_c$ 130°C (N)	$F_{max}$ (N)			Primary unit (kg)	Second. unit (kg)	L (mm)	A (mm)
DTL-85 / 102- 3stw - 1 - S	141	118	217	27,5		1,3	0,8	116,0	79,5
DTL-85 / 103- 3stw - 1 - S				55,0				143,5	
DTL-85 / 104- 3stw - 1 - S				82,5				171,0	
DTL-85 / 105- 3stw - 1 - S				110,0				198,5	
DTL-85 / 106- 3stw - 1 - S				137,5				226,0	
DTL-85 / 203- 3stw - 1 - S	279	235	434	27,5		1,8	1,2	143,5	107
DTL-85 / 204- 3stw - 1 - S				55,0				171,0	
DTL-85 / 205- 3stw - 1 - S				82,5				198,5	
DTL-85 / 206- 3stw - 1 - S				110,0				226,0	
DTL-85 / 207- 3stw - 1 - S				137,5				253,5	
DTL-85 / 304- 3stw - 1 - S	421	352	651	27,5		2,2	1,6	171,0	134,5
DTL-85 / 305- 3stw - 1 - S				55,0				198,5	
DTL-85 / 306- 3stw - 1 - S				82,5				226,0	
DTL-85 / 307- 3stw - 1 - S				110,0				253,5	
DTL-85 / 308- 3stw - 1 - S				137,5				281,0	
DTL-85 / 405- 3stw - 1 - S	561	468	868	27,5		2,6	2,0	198,5	162
DTL-85 / 406- 3stw - 1 - S				55,0				226,0	
DTL-85 / 407- 3stw - 1 - S				82,5				253,5	
DTL-85 / 408- 3stw - 1 - S				110,0				281,0	
DTL-85 / 409- 3stw - 1 - S				137,5				308,5	
DTL-85 / 506- 3stw - 1 - S	700	585	1086	27,5		3,1	2,4	226,0	189,5
DTL-85 / 507- 3stw - 1 - S				55,0				253,5	
DTL-85 / 508- 3stw - 1 - S				82,5				281,0	
DTL-85 / 509- 3stw - 1 - S				110,0				308,5	
DTL-85 / 510- 3stw - 1 - S				137,5				336,0	
DTL-85 / 607- 3stw - 1 - S	839	701	1303	27,5	3,5	2,8	253,5	217	
DTL-85 / 608- 3stw - 1 - S				55,0			281,0		
DTL-85 / 609- 3stw - 1 - S				82,5			308,5		
DTL-85 / 610- 3stw - 1 - S				110,0			336,0		
DTL-85 / 708- 3stw - 1 - S				978			817		1520
DTL-85 / 709- 3stw - 1 - S	55,0	308,5							
DTL-85 / 710- 3stw - 1 - S	82,5	336,0							



We serve a wide range of linear and servo motors. Please ask for additional, detailed information  
Own design and production All products Made in Germany